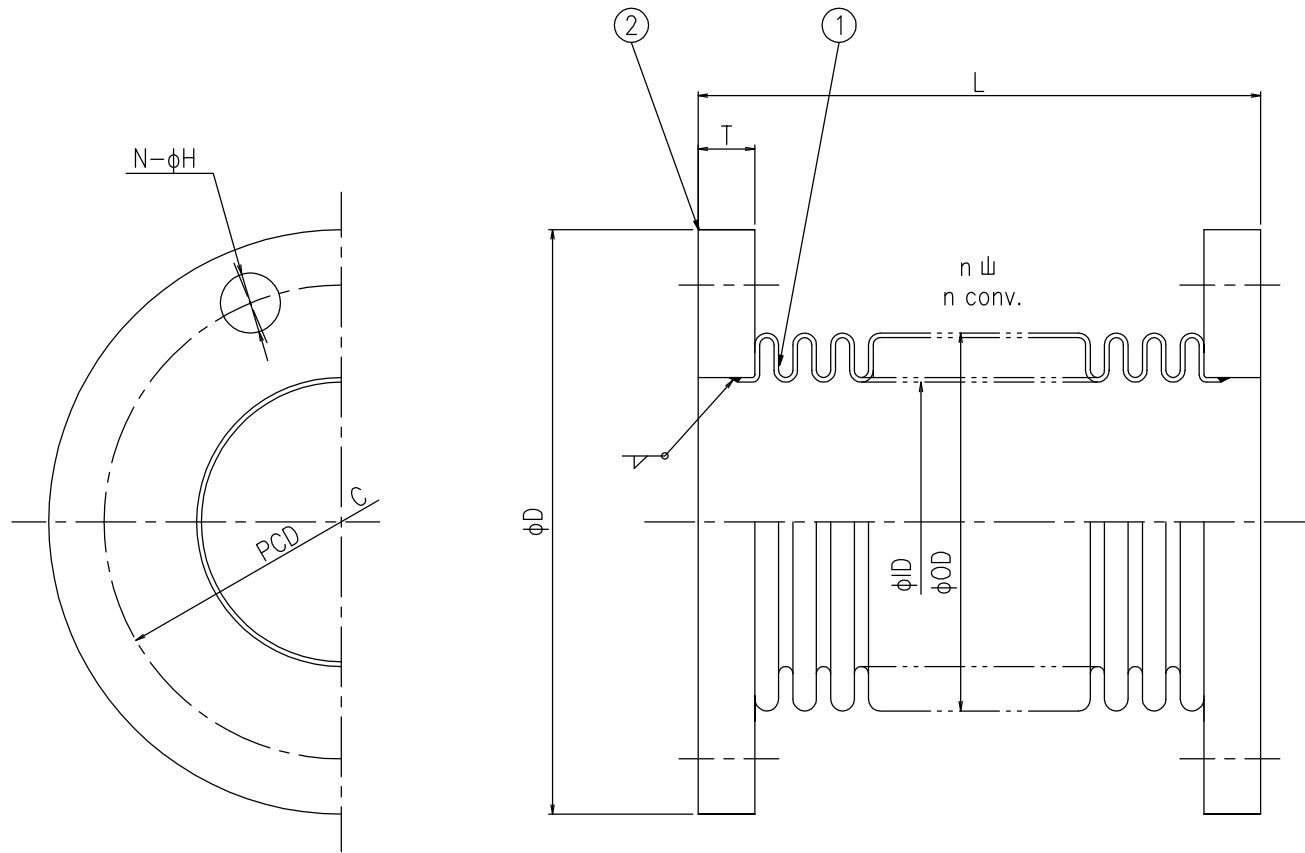


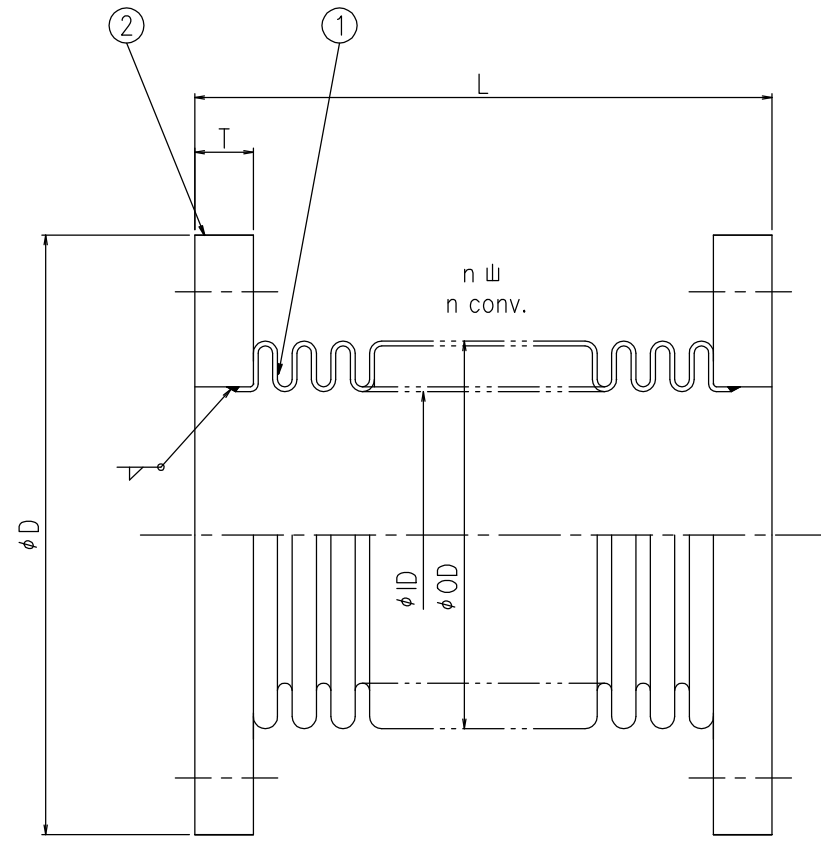
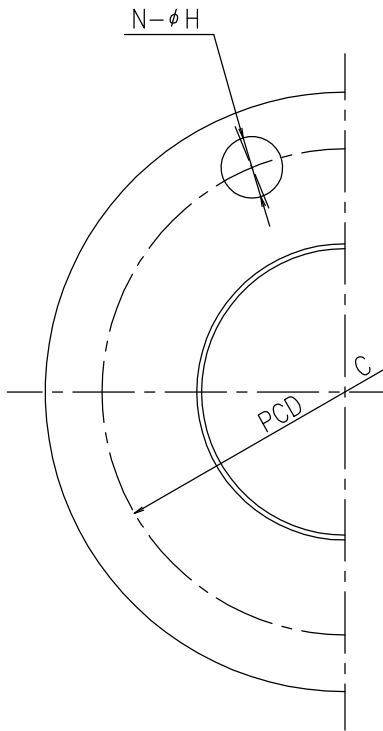
NFK



|           |                   |                                 |           |                   |
|-----------|-------------------|---------------------------------|-----------|-------------------|
| 2         | フランジ<br>Flange    | SS400/SUSF304<br>/SUSF316L/etc. | 2         | JIS5K/10K<br>etc. |
| 1         | ベローズ<br>Bellows   | SUS304/SUS316L<br>etc.          | 1         | Type-iO           |
| 品番<br>No. | 部品名称<br>Part name | 材質<br>Material                  | 数量<br>PCS | 備考<br>Remarks     |

| 呼称径<br>Nominal dia. |       | フランジ<br>Flange                            |       |       |     |      | ベローズ<br>Bellows |   |   | 長さ<br>Length | 数量<br>Quantity |
|---------------------|-------|---|-------|-------|-----|------|-----------------|---|---|--------------|----------------|
| A                   | B     | D   | C     | T     | N-H | ID   | OD              | n | L | Q            |                |
| 50                  | 2     | 各規格寸法に準拠<br>Conform to<br>each standards. |       |       |     | 59.5 | 75.0            |   |   |              |                |
| 65                  | 2-1/2 |   | 75.0  | 95.0  |     |      |                 |   |   |              |                |
| 80                  | 3     |   | 88.0  | 110.0 |     |      |                 |   |   |              |                |
| 100                 | 4     |   | 113.0 | 135.0 |     |      |                 |   |   |              |                |
| 125                 | 5     |   | 140.0 | 163.0 |     |      |                 |   |   |              |                |
| 150                 | 6     |   | 165.0 | 192.0 |     |      |                 |   |   |              |                |
| 200                 | 8     |   | 217.0 | 244.0 |     |      |                 |   |   |              |                |
| 250                 | 10    |   | 268.0 | 301.0 |     |      |                 |   |   |              |                |
| 300                 | 12    | 320.0                                     | 357.0 |       |     |      |                 |   |   |              |                |

| 呼び径<br>Nominal dia.        | 別表(A)<br>Table(A)  | A   | 構造図<br>Structural drawing  |  |             |      |
|----------------------------|--|-----|--|--|-------------|------|
| 全長<br>Length               | 別表(L)<br>Table(L)  | mm  |  |  |             |      |
| 数量<br>Quantity             | 別表(Q)<br>Table(Q)  |     |  |  |             |      |
| 設計圧力<br>Design pressure    | -  | MPa | 名称<br>Title  | NK-7900 エキスパンジョンジョイント<br>Expansion Joint |             |      |
| 設計温度<br>Design temperature | -  | ℃   | 投影法<br>Projection  |  | 尺度<br>Scale | Free |
| 耐圧試験圧力<br>Hydraulic test   | -  | MPa | <b>NFK OSAKA JAPAN</b><br><b>南国フレキ工業株式会社</b><br><b>Nangoku flexible hose industry co.,ltd.</b> |  |             |      |
| 気密試験圧力<br>Pneumatic test   | -  | MPa |  |  |             |      |
| 適用流体<br>Applicable fluid   | 排ガス、空気、特殊ガス、水<br>Exhaust gas, Air, Particular gas, Water |     |  |  |             |      |
| 仕上げ<br>Finished            | 材質による<br>Depends on material                             |     | 図番<br>Drawing No.  | NFK-7900                                 |             |      |



| 呼称径<br>Nominal dia. |       | フランジ<br>Flange                            |   |   |     | ベローズ<br>Bellows |       |   | 長さ<br>Length | 数量<br>Q'ty |  |
|---------------------|-------|---|---|---|-----|-----------------|-------|---|--------------|------------|--|
| A                   | B     | D   | C | T | N-H | ID              | OD    | n | L            | Q          |  |
| 50                  | 2     | 各規格寸法に準拠<br>Conform to<br>each standards. |   |   |     | 62.1            | 77.3  |   |              |            |  |
| 65                  | 2-1/2 |   |   |   |     | 78.4            | 96.8  |   |              |            |  |
| 80                  | 3     |   |   |   |     | 90.9            | 111.5 |   |              |            |  |
| 100                 | 4     |   |   |   |     | 116.2           | 136.8 |   |              |            |  |
| 125                 | 5     |   |   |   |     | 140.0           | 160.6 |   |              |            |  |
| 150                 | 6     |   |   |   |     | 165.0           | 187.6 |   |              |            |  |
| 200                 | 8     |   |   |   |     | 217.0           | 239.6 |   |              |            |  |
| 250                 | 10    |   |   |   |     | 268.0           | 294.6 |   |              |            |  |
| 300                 | 12    |   |   |   |     | 320.0           | 346.6 |   |              |            |  |

|           |                   |                          |           |                   |
|-----------|-------------------|--------------------------|-----------|-------------------|
| 2         | フランジ<br>Flange    | SUSF304/SUSF316L<br>etc. | 2         | JIS5K/10K<br>etc. |
| 1         | ベローズ<br>Bellows   | SUS304/SUS316L<br>etc.   | 1         | Type-E            |
| 品番<br>No. | 部品名称<br>Part name | 材質<br>Material           | 数量<br>PCS | 備考<br>Remarks     |

|                            |  |                                  |   |   |             |      |
|----------------------------|--|----------------------------------|---|---|-------------|------|
| 呼称径<br>Nominal dia.        | 別表(A)<br>Table(A)  | <b>構造図</b><br>Structural drawing |   |   |             |      |
| 全長<br>Length               | 別表(L)<br>Table(L)  |                                  |   |   |             | mm   |
| 数量<br>Quantity             | 別表(Q)<br>Table(Q)  |                                  |   |   |             |      |
| 設計圧力<br>Design pressure    | —  | MPa                              | 名称<br>Title   | NK-7900E エキスパンジョンジョイント<br>Expansion Joint |             |      |
| 設計温度<br>Design temperature | —  | ℃                                | 投影法<br>Projection   |   | 尺度<br>Scale | Free |
| 耐圧試験圧力<br>Hydraulic test   | —  | MPa                              | <b>NFK</b> OSAKA JAPAN<br>南国フレキ工業 株式会社<br>Nangoku flexible hose industry co.,ltd. |   |             |      |
| 気密試験圧力<br>Pneumatic test   | —  | MPa                              |   |   |             |      |
| 適用流体<br>Applicable fluid   | 排ガス、空気、特殊ガス、水<br>Exhaust gas, Air, Particular gas, Water |                                  | 図番<br>Drawing No.   | NFK-7900E                                 |             |      |
| 仕上げ<br>Finished            | 材質による<br>Depends on material                             |                                  |   | △   |             |      |